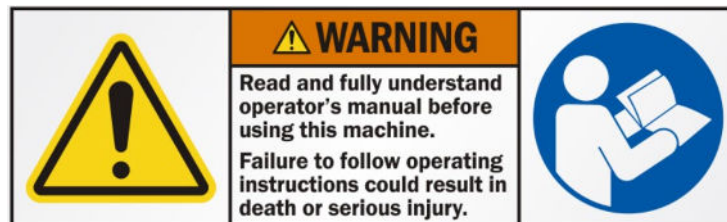


U.S.SAWS™



U.S.SAWS VSG-10 OPERATING MANUAL



Notice of Copyright Protection

Copyright 2020, by U.S.SAWS . All rights reserved. This work may not be reproduced or disseminated in whole or in part by any means without the prior written permission of U.S.SAWS

05-18-2021

U.S.SAWS™

**SURFACE PREP
DIVISION**

P: 877-817- 6687 F: 813-621-7125
Visit us at www.ussaws.com
sales@ussaws.com



INTRODUCTION & SPECIFICATIONS

1.0 INSTRUCTIONS FOR USE OF MANUAL SECTIONS

Section	Page
Table of Contents & Introduction	2
Symbols & Decals	3
Safety Instruction	4 - 5
Operation	6 - 7
Parts Breakdown	8 - 9
Assembly	10
Troubleshooting & Maintenance	11
Accessories	12
Warranty & Service	13 - 14

Foreword/Introduction

The owner's manual is intended to point out some of the basic safety situations that maybe encountered during the normal operation & maintenance of the VSG-10 Stand Up Variable Speed Grinder & to instruct you in safety practices for dealing with these conditions. Keep all manuals provided with your machine in a safe place at all times.

The information and specifications included in this publication were in effect at the time of approval for printing. U.S.SAWS reserves the right, however, to discontinue or change specifications or design at any time without notice and without incurring any obligation.

The U.S.SAWS VSG-10 Stand Up Variable Speed Grinder was designed as concrete floor grinding and polishing machine that will prep concrete surfaces in areas that cannot be accessed by larger equipment. This concrete grinder has excellent coating removal capabilities when used with PCD segments. The grinding plate accepts 3 or 6 "Fast Change" diamonds that are available in a variety of bonds and grits.

Dangers, Warnings and Cautions.

The purpose of safety symbols and explanations are to attract your attention to possible hazards and how to avoid them. The safety symbols and explanations do not by themselves eliminate any danger. The instructions or warnings they give are not substitutes for proper accident prevention measures.



DANGER: Indicates an imminently hazardous situation that if not avoided, will result in death or serious injury. This signal word is limited to the most extreme situations.



WARNING: Indicates a potentially hazardous situation that, if not avoided, could result in death or serious injury.



CAUTION: Indicates a potentially hazardous situation that, if not avoided may result in minor or moderate injury. It may also be used to alert against unsafe practices that may cause property damage.

	WARNING	
<p>Read and fully understand operator's manual before using this machine.</p> <p>Failure to follow operating instructions could result in death or serious injury.</p>		

2.0 SPECIFICATIONS

Model	VSG-10
Part Number	SX61000
Power Requirement	115V 15 AMP Electric
Max RPM	400 - 1,500
Grinding Wheels Used	Fast Change Diamonds, PCDs, and Polishing Pad
Weight	165 lbs



SYMBOLS & DECALS

3.0 SYMBOLS & DECALS

For Safe Operation

You must be qualified for safe operation of the U.S.SAWS VSG-10 Stand Up Variable Speed Grinder machine. You must clearly understand the written instructions supplied by U.S.SAWS, be trained - including actual operation - & know the safety rules & regulations for the job site. It is a safety practice to point out & explain safety signs & practices to others & to make sure they understand the importance of following these instructions.

Be Safe

Human error is the result of many factors: carelessness, fatigue, sensory overload, preoccupation, unfamiliarity with the machine or attachments, or drugs or alcohol, to name a few. You can avoid serious injury or death caused by these & other unsafe work practices. Be safe and never assume accidents cannot happen to you.

For your safety and the safety of others, act safely and encourage your fellow workers to act safely as well.



Wear appropriate clothing



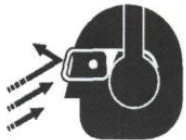
Wear hand protection



Wear proper electrostatic grounding equipment at all times.



Read and understand operator's manual before using this machine. Failure to follow operating Instructions could result in injury or damage to equipment.



Always wear protective glasses or full face protection



Wear Head Protection, breathing protection, and the use of hearing protection is mandatory



Wear safety boots when operating this machine



SAFETY INSTRUCTIONS

4.0 SAFETY INSTRUCTIONS

4.1 KNOW THE RULES & YOUR EQUIPMENT.

Most job sites have rules governing equipment use & maintenance. Before starting at a new work location, check with the supervisor or safety coordinator. Ask about any rules or regulations you need to abide.

OSHA enforces federal laws within the United States that apply to the safe operation, application, & maintenance of equipment on job sites. It is the employer's responsibility to comply with these laws.

Do not operate this machine unless you have read the operations and maintenance manual carefully.

4.2 RECEIVE PROPER TRAINING.

Do not operate this machine unless you have received operational and maintenance training from a U.S. SAWS representative or from an authorized distributor for U.S.SAWS.

4.3 PROTECT YOUR FEET.

Observe all applicable local, state and federal safety regulations. Wear OSHA approved foot protection.

4.4 PROTECT YOUR EYES.

Observe all applicable local, state and federal safety regulations. Wear OSHA approved safety glasses.

4.5 PROTECT YOUR LUNGS.

Breathable silica may be generated by use of this product. Silica can cause severe and permanent lung damage, cancer, and other serious diseases. Do not breathe the dust. Do not rely on your sight or smell to determine if the dust is in the air. Silica may be in the air without a visible dust cloud. If air monitoring equipment for silica is not provided by your employer at your work site, you **MUST** wear appropriate respiratory protection when using or servicing the machine. Consult your employer and OSHA regarding the appropriate respiratory protection.

4.6 PROTECT YOUR HEARING.

Observe all applicable local, state and federal safety regulations. Wear OSHA approved hearing protection.

4.7 DRESS PROPERLY.

Do not wear loose clothing or jewelry that can be caught in moving parts. Wear protective hair covering to contain long hair. Keep hair away from motor air vent. Rubber gloves and non-skid footwear are recommended when working outdoors.

4.8 AVOID A DANGEROUS ENVIRONMENT.

Do not expose machine to rain. Do not use machine in wet conditions. Water entering a power tool will increase the risk of electric shock. Keep work area well lit. When working at an elevated location, pay attention to articles and persons below. If operating the power tool in damp locations is unavoidable, use a Ground Fault Circuit Interrupter (GFCI) protected supply. Use of an GFCI reduce the risk of electric shock.

4.9 ELECTRICAL SAFETY

Power tool plugs must match the outlet. Never modify the plug in any way. Do not use any adapter plugs with earthed (grounded) power tools. Unmodified plugs and matching outlets will reduce risk of electric shock. Avoid body contact with earthed or grounded surfaces such as pipes, radiators, ranges and refrigerators. There is an increased risk of electric shock if your body is earthed or grounded.

4.10 ELECTRICAL CORD MANAGEMENT

Do not abuse the cord. Never use the cord for carrying, pulling or unplugging the power tool. Keep cord away from heat, oil, sharp edges or moving parts. Damaged or entangled cords increase the risk of electric shock. When operating a power tool outdoors, use an extension cord suitable for outdoor use. Use of a cord suitable for outdoor use reduces the risk of electric shock.

4.11 AVOID ANY AREAS OR ACTIONS THAT EXPOSE YOU TO CARBON MONOXIDE.

Exhaust gas from gasoline engines contains dangerous carbon monoxide. Breathing it can cause unconsciousness and even kill you. Always operate gasoline engine machines in a well-ventilated area. Do not operate in areas where exhaust fumes could accumulate without wearing appropriate respiratory protection. Consult your employer and OSHA regarding use of appropriate respirator for dangerous carbon monoxide gases.

4.12 KEEP WORK AREA CLEAN. DO NOT RUN OVER ANYTHING.

Loose objects could be thrown from crack. Make sure area to be cut is clear from people and any loose objects, nuts, bolts, etc. Never run over any loose objects.

4.13 KEEP CHILDREN AND VISITORS AWAY.

Do not allow anyone to stand in line with the blade path. Do not let children or visitors contact machine or extension cord. Keep children and visitors away from the work area.

4.14 KEEP FIRM GRIP ON MACHINE.

During normal operation as instructed in Section 6.0, keep a firm hold on the handle grips and maintain control of the machine until the blade completely stops.

4.15 SHUT OFF MACHINE.

When not in use, before servicing and when changing accessories shut off engine. Release the lever switch and move the on/off switch to the OFF position. Move the fuel valve lever to the OFF position.

4.16 STORE IDLE EQUIPMENT.

The machine and tools should be stored in a dry and secure location when not in use. Keep equipment out of reach of children.

4.17 OBTAIN SAFETY DATA SHEET (SDS) FOR ALL WORK SURFACE MATERIALS.

This includes primers, all coatings, adhesives, tile and crack filling materials, etc. Do not attempt to cut, clean out or remove material without SDS information. Consult SDS sheet for hazards information. Be aware that some materials are explosive as a dust.



SAFETY INSTRUCTIONS

4.18 DO NOT OVERREACH.

Keep proper footing and balance at all times.

4.20 MAINTAIN MACHINE WITH CARE.

Keep machine clean and follow maintenance procedures for better and safer performance. Keep handles dry, clean, and free from oil and grease. Follow instructions for lubricating and changing accessories.

4.21 REMOVE ADJUSTING TOOLS.

Form a habit of checking to see that tools such as adjusting wrenches are removed from the machine and properly stored before starting the engine.

4.22 STAY ALERT.

Watch what you are doing. Use common sense. Do not operate machine when you are tired or fatigued.

4.23 DO NOT USE DRUGS, ALCOHOL, MEDICATION.

Do not operate machine while under the influence of drugs, alcohol, or any medication.

4.24 KEEP THE RIGHT PARTS IN THE RIGHT POSITIONS.

Do not operate machine with parts missing or improperly mounted.

4.25 CHECK DAMAGED PARTS.

Verify all machine guards are in good condition and will function properly before using the machine. Check for alignment of moving parts, binding of moving parts, breakage of parts, mounting, and any other conditions that may affect machine operation. A guard, power switch or other part that is damaged should be properly repaired or replaced by an authorized service center unless indicated elsewhere in this instruction manual. Do not operate machine if lever or engine on/off switch does not function properly.

4.26 SECURELY MOUNT ACCESSORIES TO THE MACHINE.

Extra care must be taken an elevated location to prevent injury to someone on a lower level in the event the tool or accessory should drop. Do not operate without fall protection for operator and debris protection for public.

4.27 NEVER TOUCH THE MOVING PARTS.

Never touch moving parts such as blades, belts and others.

4.28 STOP OPERATION IMMEDIATELY IF ANY ABNORMALITY IS DETECTED.

Stop using machine immediately if any abnormalities are observed during operation. Examples of abnormalities include unusual noise and vibration.

4.29 WHEN REPLACING A PART, USE THE SAME TYPE AND QUALITY.

When replacing a component part with a new one, use only the same type and quality of new part. Never attempt to repair a machine if you are unfamiliar with proper procedures and techniques required.

4.30 LOAD AND UNLOAD SAFELY.

Use proper heavy lifting procedures. Read & understand manuals before loading & unloading.

4.31 SAVE THESE INSTRUCTIONS.

Refer to this operations and maintenance manual as well as any additional instructions included from other manufacturers and organizations such as Honda® and the Masonry and Concrete Saw Manufacturers Institute®. Never permit anyone to operate the machine without proper instructions.



DUST WARNING

Cutting, especially when DRY cutting, generates dust that comes from the material being cut, which frequently contains silica.

Silica is a basic component of sand, quartz, brick clay, granite and numerous other minerals and rocks. Exposure to excessive amount of such dust can cause:

- Respiratory diseases (affecting your ability to breath), including chronic bronchitis, silicosis and pulmonary fibrosis from exposure to silica. These diseases may be fatal;
- Skin irritation and rash; and
- Cancer according to NTP* and IARC*
* National Toxicology Program, International Agency for Research on Cancer

Take precautionary steps

- Avoid inhalation of and skin contact with dust, mist and fumes;
- Wet cut when feasible, to minimize dust;
- Wear and ensure that all bystanders wear appropriate respiratory protection such as dust masks designed to filter out microscopic particles. (See OSHA 29 CFR Part 1910.1200)

California Prop 65 Warning: Use of this product can cause exposure to materials known to the State of California to cause cancer and/or birth defects or other reproductive harm.



OPERATION

5.0 OPERATION



CAUTION

CAUTION: Operating this machine without the appropriate training may cause serious personal injury and or monetary damages. This machine is designed for surface removal of glues, adhesive residues, putty and similar materials from concrete floors; as well as grinding and levelling concrete floors.

5.1 INSTALLING THE DIAMONDS

5.1.1 STEP 1

Turn off the machine and disconnect it from the power source

5.1.2 STEP 2

Push down on the handle to lift the head off the ground and gently tip the machine back and lay it down



Always wear gloves when changing or removing diamonds, they may become very hot during use.

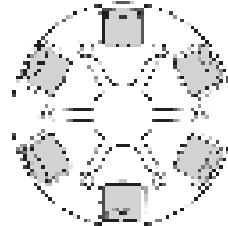
5.1.3 STEP 3

Use a hammer to remove the diamond segments

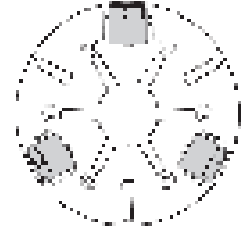


5.1.4 STEP 4

Insert new diamonds into the slots and lightly tap diamond inserts with a hammer towards the outside of the plate



Full Set
Optional



Half Set
Standard

5.1.5 STEP 5

Once the diamond segments have been attached, carefully stand the machine back up - listening for segments falling off



WARNING

WARNING: Never use damaged cables

5.2 STARTING AND STOPPING

5.2.1 STEP 1

Turn off the machine and disconnect it from the power

5.2.2 STEP 2

Be sure that the diamonds are firmly attached

5.2.3 STEP 3

Connect the vacuum to the machine



OPERATION

5.2.4 STEP 4

Set the handlebar to a comfortable working height

5.2.5 STEP 5

Plug the machine in to a power source

5.2.6 STEP 6

Turn on the vacuum

5.2.7 STEP 7

Pull the safety switch out to the "Run" position

5.2.8 STEP 8

Reduce the pressure between the grinding plate and the surface you are grinding by pressing down on the handle

5.2.9 STEP 9

Press the start button to start the machine

THE GREEN INDICATOR LIGHT WILL ILLUMINATE WHEN THE MOTOR HAS OPERATING POWER, THE MOTOR CAN BE ON BUT NOT MOVING IF THE SPEED CONTROL IS SET TO "0"



5.2.9a STEP A

Push the stop button to turn the machine off

5.2.9b STEP B

Keep the grinding plate in contact with the floor when stopping, this will help bring the plate to a complete stop more quickly

DO NOT LIFT THE GRINDING PLATE OFF THE FLOOR WHEN STOPPING. THIS CAN CAUSE EXCESS DEBRIS AND DUST TO FLY IN THE AIR.



WARNING: Never use damaged cables

5.3 LEVELLING THE MACHINE

Levelling the grinding plates is critical to creating a good profile

5.3.1 STEP 1

Place the machine on the surface you will be working on.

5.3.2 STEP 2

With the machine OFF, push the front of the machine from side to side. If the grinding plate is "rolling" on the surface, the machine needs levelling.

5.3.3 STEP 3

If it is rolling on the front of the plate, turn the carriage adjustment wheel counter clockwise until the grinding plate is flat on the surface.

5.3.4 STEP 4

Test the machine by briefly (less than 1 second) touching the grinding plate to the surface while the machine is on at a low speed. Notice front edge of the diamond is touching the ground and nothing in the back.



5.3.5 STEP 5

Stop the machine and inspect the mark it made on the surface.

5.3.6 STEP 6

Keep adjusting until all tooling hits the surface at the same time. Pretty level ring and you can start grinding



5.3.7 STEP 7

The machine will need periodic adjustment as the diamonds wear.

5.3.8 STEP 8

Changing out to a different set of diamonds or switching to polishing pads will also require readjustment.

5.3.9 HOW TO LEVEL THE VSG-10 VIDEO

For instructions on to level the VSG-10, go to https://youtu.be/SCKrCuZ_rTI or scan the QR code below with your smart phone for a quick video "How To" instruction.

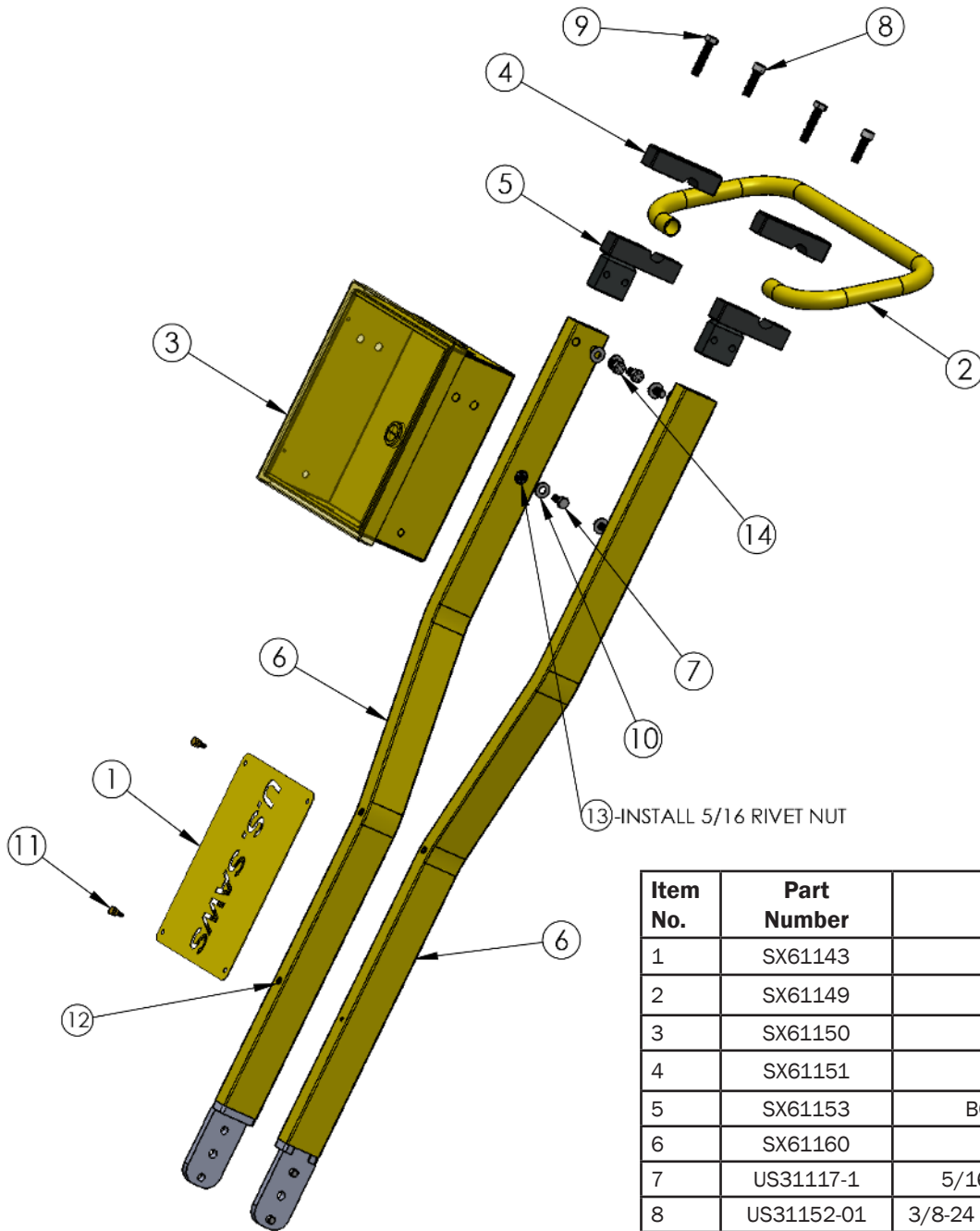


CAUTION: The machine will operate smoothly and easily when properly levelled. If it pulls hard to one side, it needs adjustment.



PARTS BREAKDOWN

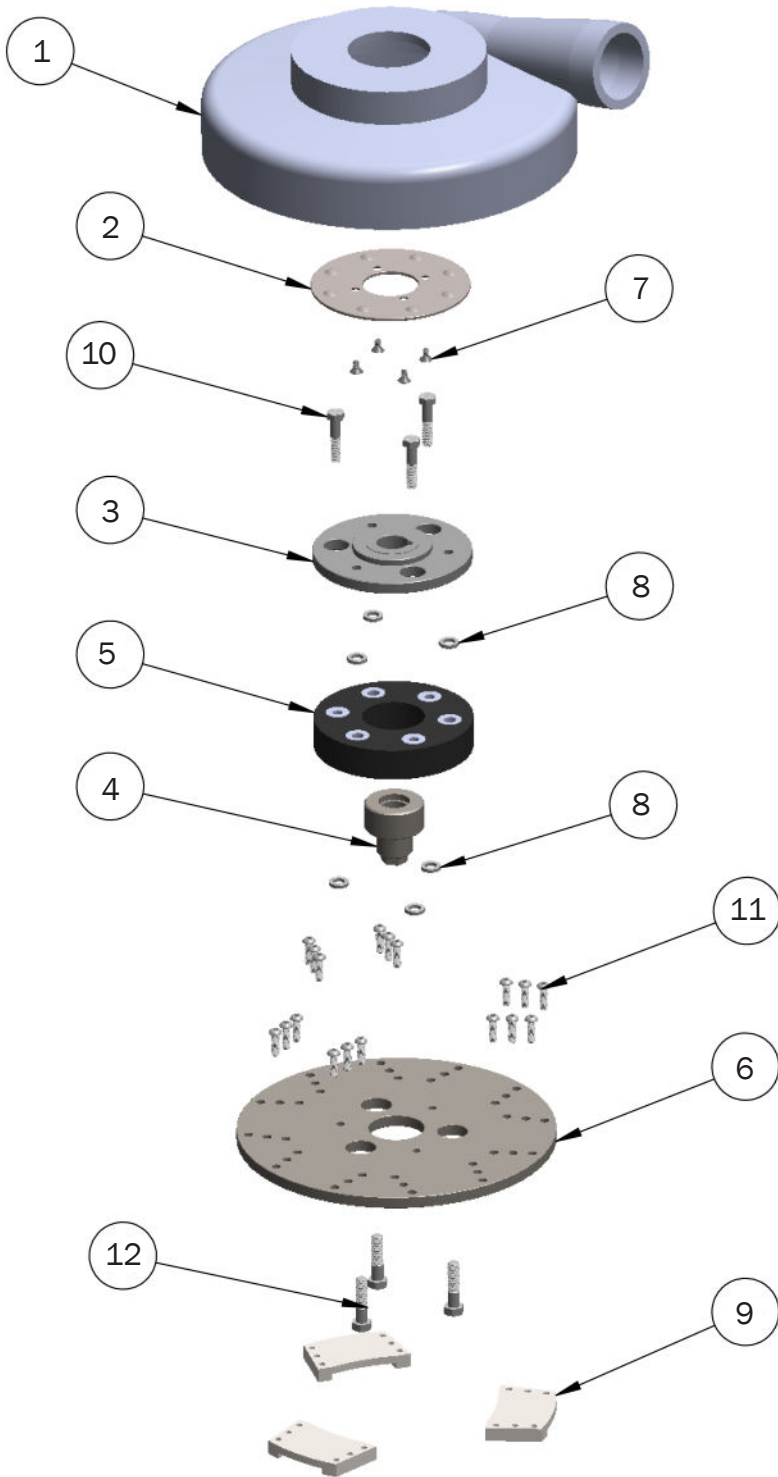
6.0 VSG-10 PARTS BREAKDOWN



Item No.	Part Number	Description	QTY
1	SX61143	U.S.SAWS PLATE	1
2	SX61149	LOOP HANDLE	1
3	SX61150	ELECTRICAL BOX	1
4	SX61151	TOP HANDLE CLAMP	2
5	SX61153	BOTTOM HANDLE CLAMP	2
6	SX61160	VSG ARM	2
7	US31117-1	5/16-18X3/4 HEX HEAD BOLT	2
8	US31152-01	3/8-24 X 1 - 1/4 SOCKET HEAD BOLT	2
9	US31176	3/8 - 24 X 1 - 3/4 HEX HEAD BOLT	2
10	US31320-2	5/16 WASHER	6
11	US75200-6	8/32" X 3/8" THUMB SCREW	2
12	US31110-5	5/16 RIVET NUT	2
13	US31131-01	8-32 RIVET NUT	2
14	US31176-1	3/8 - 24 X 5/8 HEX HEAD BOLT	4



PARTS BREAKDOWN

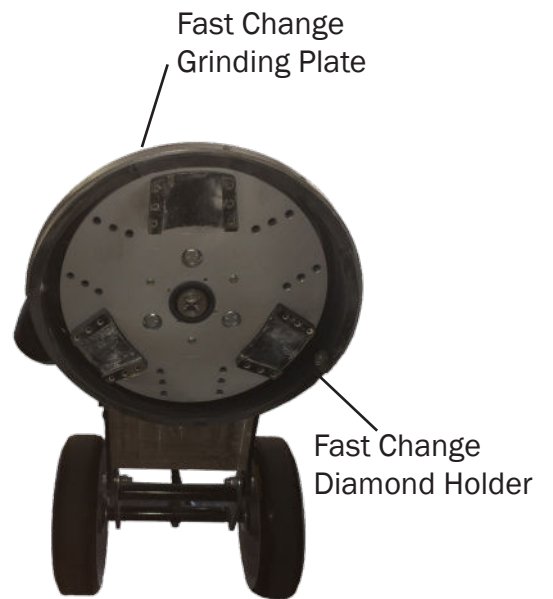
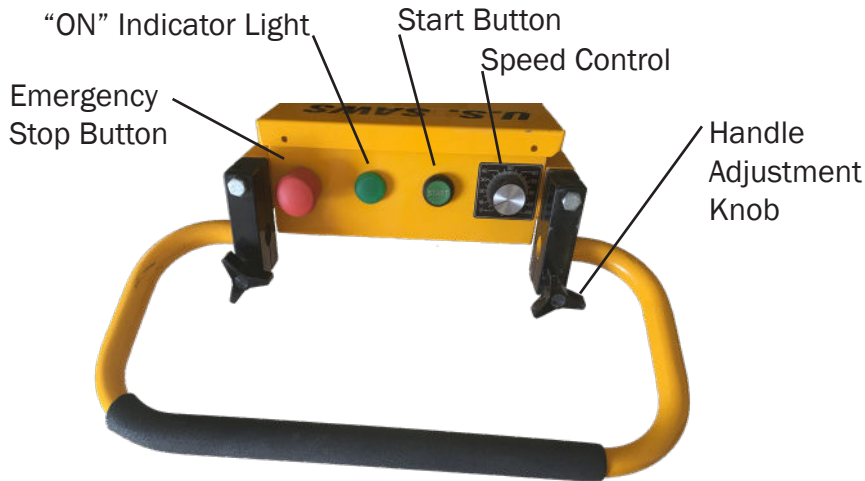
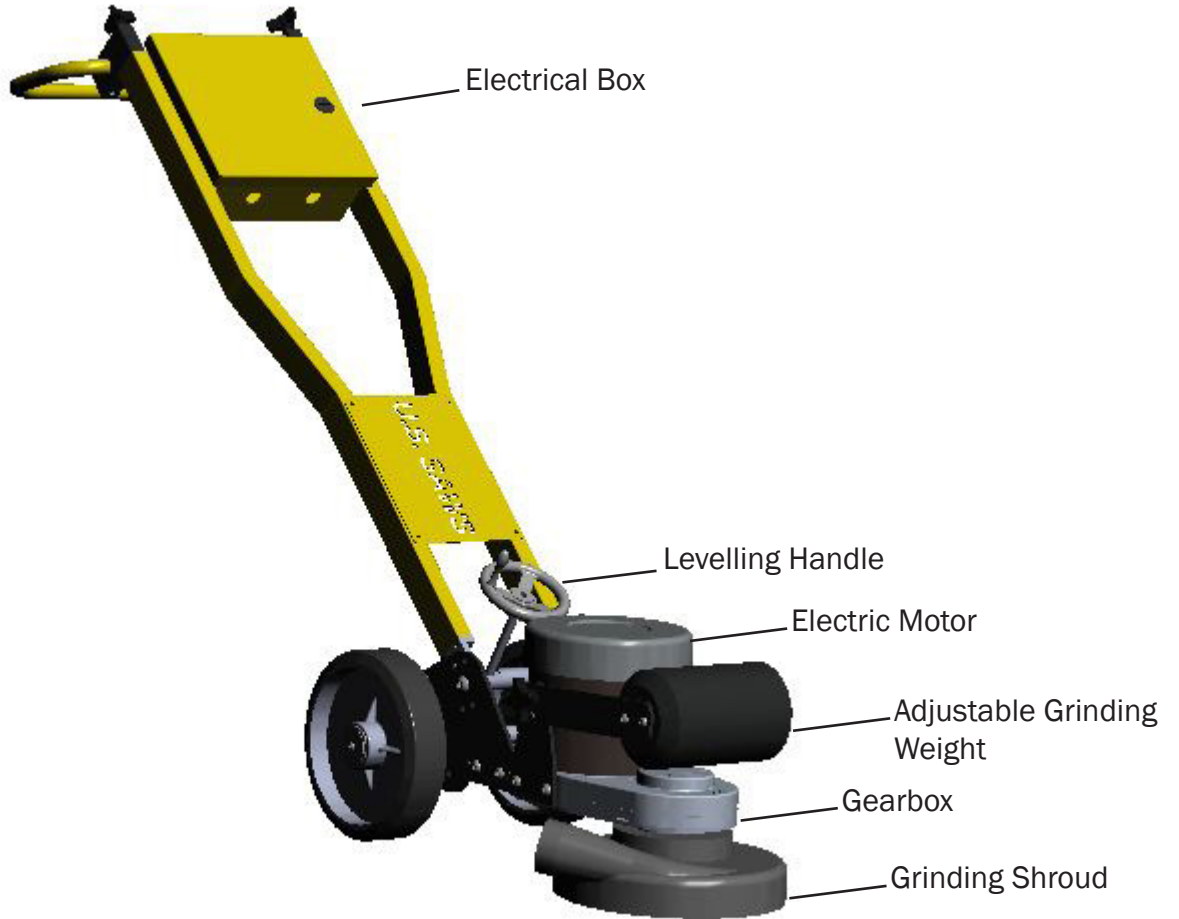


Item No.	Part Number	Description	QTY
1	SX65820	10" CONVERTIBLE SHROUD ASSEMBLY	1
2	SX61120-2	SHROUD WASHER	1
3	SX61121	5" DRIVE FLANGE	1
4	SX61122	OUTPUT SHAFT NUT	1
5	SX61123	POLYURETHANE DRIVE BUSHING	1
6	SX61124	10" STEEL GRINDING DISC PLATE	1
7	US31060-4	10-24 THREAD, 3/8" FLAT HEAD SCREW	4
8	US32060	3/8 ID SHIM WASHER	6
9	FCHOLDER	FAST CHANGE HOLDER	3
10	US31110-5	5/16-18 X 1-1/2" HEX HEAD SCREW	3
11	US31261	M6 X 20MM BUTTON HEAD SCREW	18
12	US31156-1	3/8-16 X 1-3/4 HEX HEAD SCREW	3



ASSEMBLY

7.0 VSG-10 ASSEMBLY



TROUBLESHOOTING & MAINTENANCE

8.0 TROUBLESHOOTING



WARNING: Never use damaged cables

8.1 THE MACHINE WILL NOT RUN

Check the power supply and the cables to be sure that they are not damaged.

Check that the emergency stop button is not pressed.

8.2 MACHINE IS TOO HARD TO HOLD ONTO - TRACKS LEFT OR RIGHT

Not enough diamonds under the machine - Usually accompanied by high current draw from the motor. (If grinding thick glue or soft floors, too few diamonds under the machine will greatly increase the load on the grinder and the operator)

Increase the number of diamonds to reduce the load.

See "Levelling the Machine" on section 5.3

8.3 MACHINE IS JUMPING AROUND

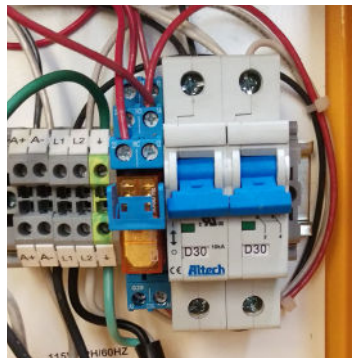
Diamonds may not be installed correctly or have different heights. Check to ensure that all diamonds are fitted correctly and are the same segment height.

8.4 THE MACHINE SUDDENLY STOPS

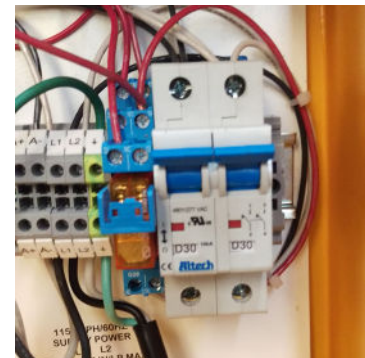
Check the circuit breaker of the power source the machine is plugged into. Reset the breaker if tripped. If the circuit was not tripped, check the VSG-10's electrical panel. The VSG-10 is equipped with a circuit breaker inside the electrical panel. Unplug the machine from its power source. Open the electrical panel and check the breaker to see if it is tripped. If it is tripped, remove the weight and try grinding again.



Control Panel



Tripped Breaker



Ready Breaker

9.0 MAINTENANCE



CAUTION: Always unplug the machine before beginning any cleaning or maintenance.

If used and cleaned correctly this is an extremely low-maintenance machine

9.1 CLEANING

Always clean the machine at the end of a work day.

Do not use a pressure washer to clean this machine.

Keep the cooling air vents clean and clear to insure that the machine is cooling correctly.

9.2 GRINDING PLATE COUPLER PADS

Check the rubber grinding plate coupler pads every month and replace if necessary.



WARNING: Never use damaged cables

9.3 ELECTRICAL FEED

Check that the cord, and any extension cords used, are intact and in good working condition.

Never use the machine if the cord is damaged. Use an authorized service technician for repair.

9.4 SHROUD

Make sure that the shroud is intact, clean, and that it seals to the floor.

Replace damaged shroud as needed.



ACCESSORIES

Diamonds

Diamonds come in a variety of grits for various tasks. PCDs are for removing coatings or glue. Many variables on the job will determine which tooling to use.

Description	Specification	Part Number
Double Segment 18 Grit	For Aggressive Grinding	DWN2R18FC
Double Segment 30/40 Grit	For General Grinding	DWN2R30FC
Double Segment 60/80 Grit	For Smooth Grinding	DWN2R60FC
Double Segment 120/150 Grit	For Pre-Polishing	DWN2R120FC
PCD Two Segment	For Removal of Coatings	PWNQRRFC

Polishing Pads

Polishing pads can be used for polishing concrete, marble, and terrazzo

Description	Part Number
3" 50 Grit Resin Pad	VPN03050
3" 100 Grit Resin Pad	VPN03100
3" 200 Grit Resin Pad	VPN03200
3" 400 Grit Resin Pad	VPN03400
3" 800 Grit Resin Pad	VPN03800
3" 1500 Grit Resin Pad	VPN031500
3" 3000 Grit Resin Pad	VPN033000
Velcro Fast Change Resin Holder	VFCRH3



WARRANTY AND SERVICE

9.0 WARRANTY AND SERVICE

9.1.1 Warranty

This document is to be used as a guide in determining warranty policies and procedures for U.S.SAWS and its U.S.SAWS products. It is to be used in determining whether a warranty is justified and as a procedural guide in completing a U.S.SAWS warranty claim form.

9.1.2 Warranty Responsibility

The distributor or the end user must prepare a Machine Warranty Information Card when the machine is delivered. Failure to comply will make any and all warranties on this equipment null and void. Credit for warranty repairs will be given only after receipt of the WARRANTY CLAIM FORM, properly completed with all the required details. Submittal details are described later in this document.

9.1.3 Warranty Policy

9.1.3.1 U.S.SAWS warrants its U.S.SAWS products against defects in material and workmanship under normal and proper use for a period of one year (365) days from the date of delivery; in the case of Rental Fleet Machines, date of assignment to Rental Fleet. Such warranty is extended only to the buyer who purchases the equipment directly from U.S.SAWS or its authorized distributor. This warranty does not include expendable parts such as, but not limited to, plugs, cutters, blades, blast wheel, wear parts, liners and seals.

9.1.3.2 The obligation under this warranty is strictly limited to the replacement or repair, at US SAWS's option, of machines and does not include the cost of transportation, loss of operating time, or normal maintenance services.

9.1.3.3 This warranty does not apply to failure occurring as a result of abuse, misuse, negligence, corrosion, erosion, normal wear and tear, alterations or modifications made to the machine without express written consent of U.S.SAWS .

9.1.3.4 Warranty request must be submitted in writing within thirty (30) days after failure.

9.1.3.5 Written authorization to return merchandise under warranty must first be obtained from U.S.SAWS .

9.1.3.6 U.S.SAWS reserves the right to inspect and make the final decision on any merchandise returned under warranty.

9.1.3.7 U.S.SAWS offers no warranty with respect to accessories, including but not limited to, engines, motors, batteries, electrical boards, tires and any other parts not manufactured by us but which the original manufacturer warrants.

9.1.3.8 U.S.SAWS reserves the right to make product changes or improvements without prior notice and without imposing any obligation upon itself to install the same on its products previously sold.

9.1.3.9 The above warranty conditions can only be altered by US SAWS. US SAWS must confirm alterations in writing for each specific transaction.

9.1.3.10 U.S.SAWS reserves the right to establish specific warranty terms for used or demo machines on an individual transaction basis. Invoices covering such merchandise will clearly state the provisions of the applicable warranty for each specific transaction.

9.1.3.11 WE DO NOT AUTHORIZE ANY PERSON, REPRESENTATIVE OR SERVICE OR SALES ORGANIZATION TO MAKE ANY OTHER WARRANTY OR TO ASSUME FOR US ANY LIABILITY IN CONNECTION WITH THE SALE OF OUR PRODUCTS OTHER THAN THOSE CONTAINED HEREIN.

9.1.3.12 UNDER NO CIRCUMSTANCES SHALL US SAWS BE LIABLE TO CUSTOMER OR ANY OTHER PERSON FOR ANY DIRECT, INCIDENTAL, OR CONSEQUENTIAL DAMAGES RESULTING FROM THE USE OF THE PRODUCT OR ARISING OUT OF ANY BREACH OF ANY WARRANTY OR FOR ANY SPECIAL OR CONSEQUENTIAL DAMAGES OF ANY CHARACTER, INCLUDING WITHOUT LIMITATIONS, DAMAGES FOR ANY LOSS OF GOODWILL, WORK STOPPAGE, OR ANY AND ALL OTHER COMMERCIAL DAMAGES OR LOSSES.

9.1.3.13 U.S.SAWS MAKES NO OTHER WARRANTIES, EXPRESSED OR IMPLIED, INCLUDING, BUT NOT LIMITED TO, THE IMPLIED WARRANTIES OF MERCHANTABILITY AND FITNESS FOR A PARTICULAR PURPOSE WITH RESPECT TO THE US SAWS PRODUCTS SOLD PURSUANT THERETO.



MACHINE WARRANTY INFORMATION CARD

TO ENSURE THE PROPER WARRANTY COVERAGE IS EXTENDED TO THE OWNER OF THIS MACHINE, FILL OUT THE ATTACHED CARD COMPLETELY AND ACCURATELY.

WARRANTY REGISTRATION CARD

IMPORTANT! To ensure that your U.S.SAWS machine is covered under warranty, please fill in the following information and mail or fax it to U.S.SAWS, 8004B E. Broadway Ave. Tampa, FL 33619, Fax No. 714-434-7299

COMPANY
NAME
ADDRESS
INTENDED USE
DATE OF PURCHASE
INTENDED USE
SERIAL NUMBER

If you are not the owner of record as shown on the manual copy of the warranty registration card, do not operate this machine before contacting U.S.SAWS at 1-877-817-6687. Verify the following before operating the equipment:

CHANGE OF OWNER OR NEW ADDRESS REGISTRATION CARD

IMPORTANT! To ensure that your U.S.SAWS machine is covered under warranty, please fill in the following information and mail or fax it to U.S. SAWS, 8004B E. Broadway Ave. Tampa, FL 33619, Fax No. 714-434-7299

COMPANY
NAME
ADDRESS
INTENDED USE
DATE OF PURCHASE
INTENDED USE
SERIAL NUMBER

14

